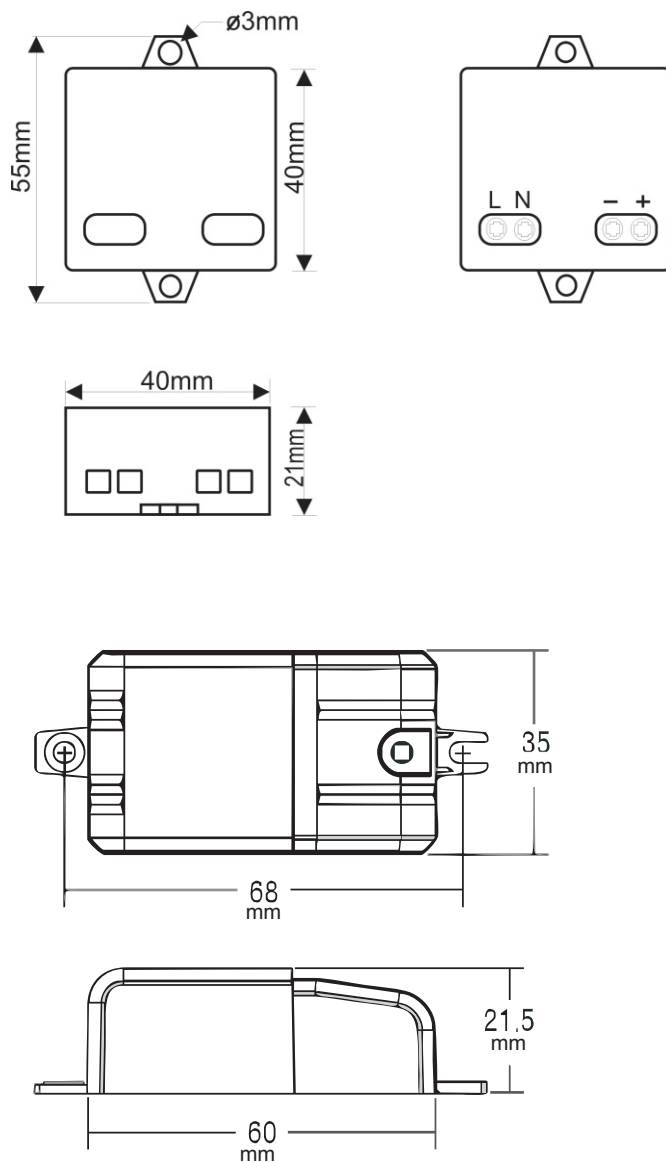


Dimensions



Length	55mm
Width	40mm
Height	22mm
Mounting hole spacing, length	48mm

This drawing is property of Melux Control Gears P.Ltd. It cant be reproduced without Written concert.		MELUX CONTROL GEARS P.LTD.		
DRAWN BY: S.B		DRAWING TITLE: CASE4 MLCV		
DESIGNED BY: B.M	DATE: 24.1.2014	SIZE: %	DRAWING NUMBER: A-04_27114	REV
VERIFIED BY: V.L	DATE: 28.1.2014	SCALE 1:1	WEIGHT (Gm)	MELCON SHEET: