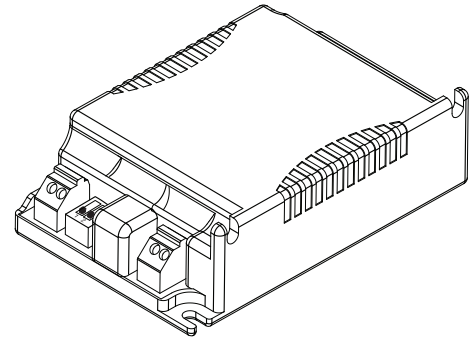
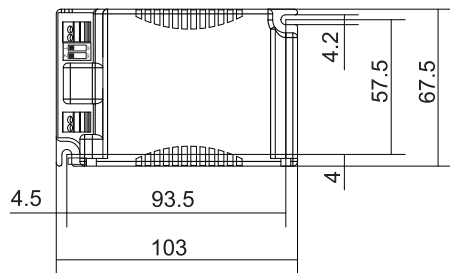
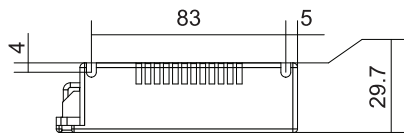


# Dimensions



<b>Length</b>	<b>103 mm</b>
<b>Width</b>	<b>67.5mm</b>
<b>Height</b>	<b>29.7mm</b>
<b>Mounting hole spacing, length</b>	<b>93.5mm</b>

This drawing is property of Melux Control Gears P.Ltd. It cant be reproduced without Written concert.		<b>MELUX CONTROL GEARS P.LTD.</b>		
<b>Drawn By:</b> S.B		<b>Date:</b> 16.1.2019		<b>DRAWING TITLE:</b> CASE19 MLCV
<b>Designed By:</b> B.M	<b>Date:</b> 16.1.2019	<b>SIZE:</b> %	<b>DRAWING NUMBER:</b> A-11_16122	<b>REV:</b> 0.1
<b>Verified By:</b> V.L	<b>Date:</b> 18.1.2019	<b>SCALE:</b> 1:1	<b>WEIGHT (Gm)</b>	<b>MELCON</b> SHEET: