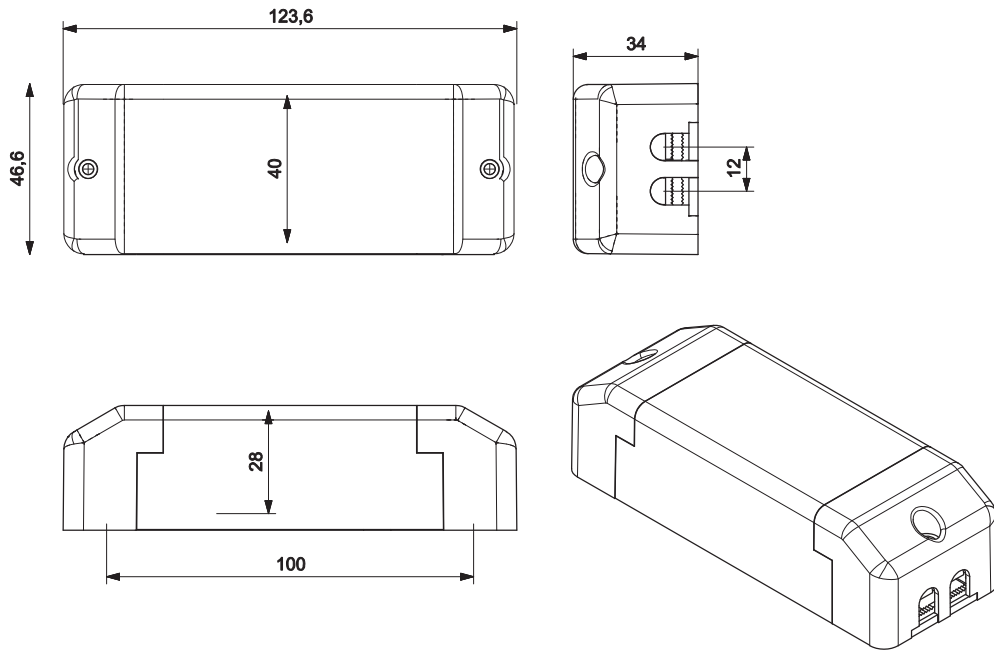


Dimensions



0.5

Length	123 mm
Width	46.6 mm
Height	34 mm
Mounting hole spacing, length	100 mm

This drawing is property of Melux Control Gears P.Ltd. It cant be reproduced without Written concert.		MELUX CONTROL GEARS P.LTD.		
Drawn By: S.B		DRAWING TITLE: CASE4 MLCV		
Date: 22.6.2017		SIZE: %		REV
Designed By: B.M		DRAWING NUMBER: A-05_28617		
Date: 24.6.2017				
Verified By: V.L		Date: 28.6.2017	SCALE 1:1	WEIGHT (Gm)
		MELCON		SHEET: