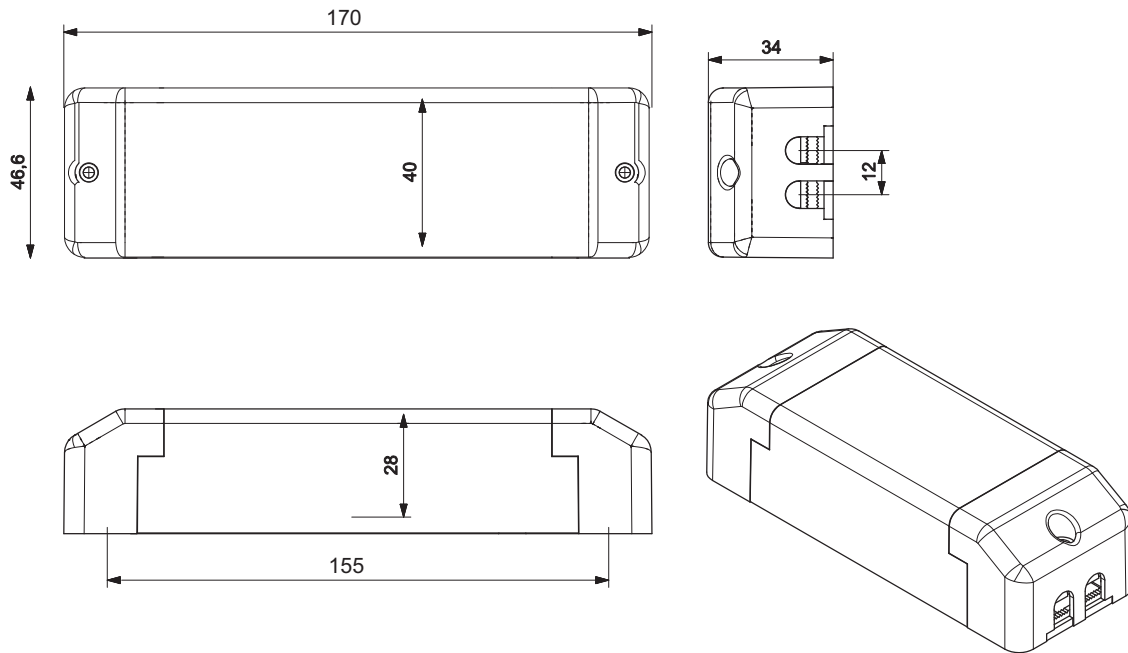


# Dimensions



Length	170 mm
Width	46.6 mm
Height	34 mm
Mounting hole spacing, length	155 mm

This drawing is property of Melux Control Gears P.Ltd. It cant be reproduced without Written concert.		<b>MELUX CONTROL GEARS P.LTD.</b>		
DRAWN BY: S.B		DRAWING TITLE: CASE19 MLCV		
DESIGNED BY: B.M	DATE: 16.1.2019	SIZE: %	DRAWING NUMBER: A-11_16122	REV: 0.1
VERIFIED BY: V.L	DATE: 18.1.2019	SCALE: 1:1	WEIGHT (Gm)	MELCON SHEET: