

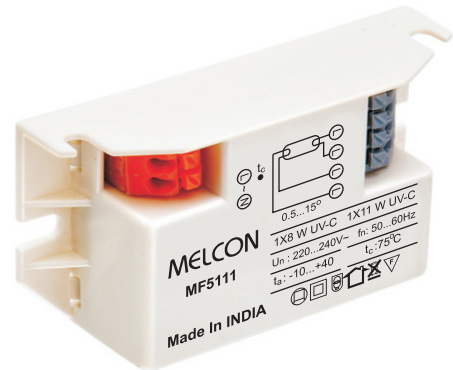
IP-20   

Product Description:

- Electronic ballast for UV-C Lamp
- 140-265VAc operating Voltage range
- P.F.>0.55
- Type of protection Ip20

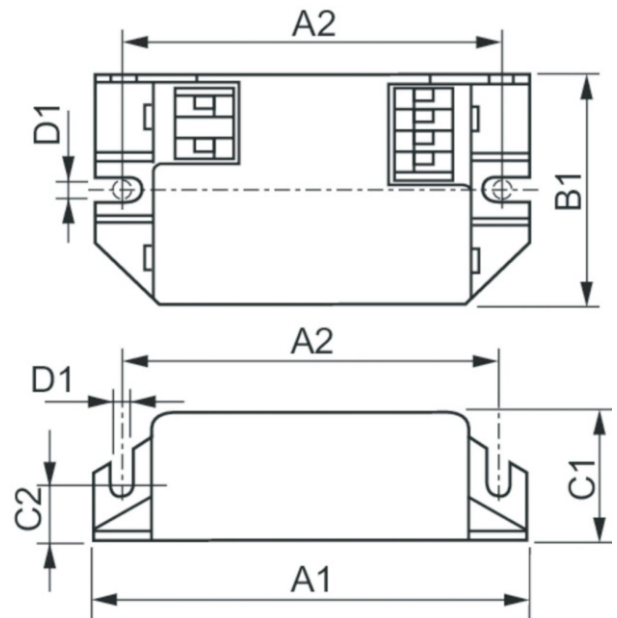
Properties:

Compact, lightweight, high-frequency electronic ballast designed for UV-C lamps (8 -11 W)



Technical Data:

Rated supply voltage 220 – 240 V
Input voltage, AC 185-265VAc
Max. input power 13 W
Output power 11 W
THD (at 230 V, 50 Hz, full load) < 120%
Hold on time at power failure (output) 0 s
Ambient temperature ta -10 ... +40 °C
Ambient temperature ta (at life-time 30,000 h) 40 °C
Max. casing temperature tc 75 °C
Storage temperature ts -20 ... +60°C
Dimensions L x W x H 80 mm X 40 mm X 22 mm



Dimensions:

A1	80 mm
A2	70 mm
B1	40 mm
C1	22 mm
C2	10 mm
D1	4 mm

Wiring:

- * Wire Strip length 9.0-10.0 mm
- * Input Terminal Cross Section 0.50-1.50 mm²
- * Output Terminal Cross Section 0.50-1.50 mm²

Ordering Data:

Prod.No.	Packaging/carton	Packaging low volume	High volume	Weight per pc.
MF5111	25 pc(s).	100 pc(s).	1,000 pc(s).	0.1 kg

Manufactured by:

MELUX CONTROL GEARS P.LTD.
 408, MATE CHAMBERS, OFF-09,
 MUKUND NAGAR, GULTEKDI,
 PUNE:411037PH-91-20-24264895
 WWW.MELCONINDIA.COM

* Specifications subjected to change without prior information